

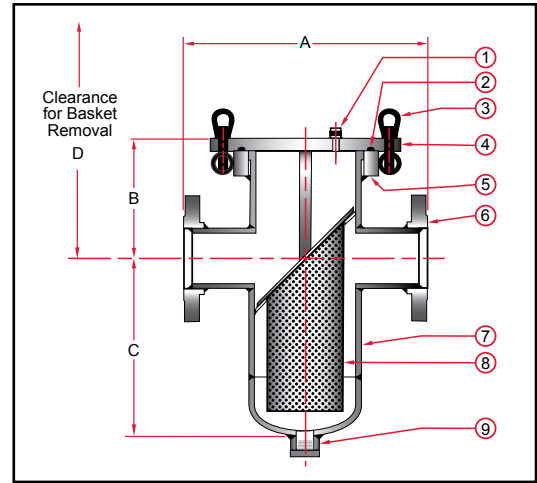
# Fabricated Basket Strainers

**BWEB150 - Carbon Steel**  
**BWEB150SS - Stainless Steel**

**With Quick Opening Eye Bolts**



Sure Flow Fabricated Flanged Basket Strainers were initially developed for the petrochemical market. With continuous success they have now become a standard product available off the shelf in most sizes. The unique quick-opening closure and venting allows the field operator, in a timely and safe fashion, to remove the basket for cleaning. An o-ring seal provides positive sealing of the cover.



**Notes:**

- Higher ASME pressure ratings available
- Larger sizes available

Manufacturer reserves the right to modify dimensions, materials, or design. Consult factory for certification.

Construction	
Item	1 2 3 4 5 6 7 8 9
Description	Vent Assembly O-Ring Quick Open Eye Bolts Cover Plate Ring Flange Outlet Nozzle Body Assembly Basket Drain Assembly

Dimensions (Inches)						
Size			A	B	C	D
Inches	Prefix	Body				
2	0200	6	12	7	11	22
2 1/2	0250	6	12	7 1/2	11	25
3	0300	6	12	7 7/8	13	26
4	0400	8	14 7/8	8 5/8	13	27
5	0500	8	14 7/8	9 3/8	17	31 1/2
6	0600	10	18 3/4	10 5/16	20	36
8	0800	12	20 1/8	11 7/8	23	40 3/4
10	1000	14	25 3/8	13 1/4	26	46
12	1200	16	27 5/8	16 5/16	29	55
14	1400	18	29 1/8	17 3/8	32	60
16	1600	20	33 5/8	19	34	64
18	1800	24	38 5/8	20 3/4	39	70
20	2000	24	38 5/8	21 5/8	39	72
24	2400	30	46	24 5/8	45	83

## Ordering Information

Example: Include full description

Size                      Model                      Screen  
 (Prefix)                  Number                      Opening  
**0200                      BWEB150SS                      045**

2" Basket Strainer, Stainless Steel, Class 150 ASME  
 Flanges, 3/64" Perf Screen

Operating Pressures and Temperatures		
Type	Size	psi @ Temp WOG
BWEB150	2" - 24"	100 @ 150 °F
BWEB150SS	2" - 24"	100 @ 150 °F



**Sure Flow**  
 Equipment Inc.

Toll Free: 1-800-263-8251 Toll Free Fax: 1-800-876-1164  
 International: 1-905-335-1350 International Fax: 1-905-332-4993  
 Email: info@sureflowequipment.com www.sureflowequipment.com

