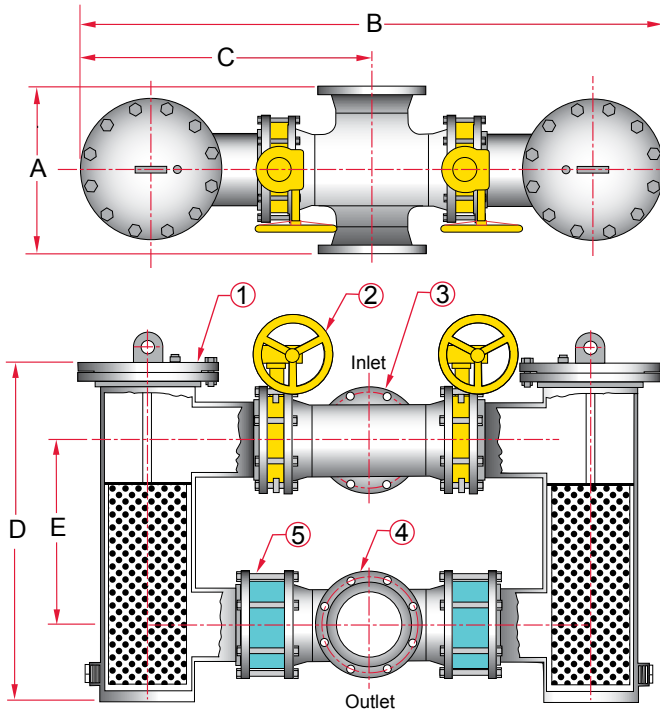


Fabricated Dual Basket Strainers

DB150 - Short Face to Face Dual Basket Assembly



Size		Dimensions (Inches)				
Inches	Prefix	A	B	C	D	E
2	0200	10	35 3/8	17 11/16	21	10
2 1/2	0250	11 1/2	37 1/8	18 9/16	22 1/2	10
3	0300	12 1/4	38 1/4	19 1/8	23	10
4	0400	14 1/4	45 1/8	22 9/16	27 1/2	11
5	0500	16 3/4	52 7/8	26 7/16	30	12
6	0600	18 1/4	54 7/8	27 7/16	32	13
8	0800	22	64 3/8	32 3/16	37	15
10	1000	25	74	37	42	18
12	1200	29	83 1/2	41 3/4	47 1/2	21
14	1400	32	91 5/8	45 13/16	52	23
16	1600	34	97 7/8	48 15/16	54	25
18	1800	38	108 7/8	54 7/16	60	27
20	2000	41 3/8	123 5/8	61 13/16	65	29
24	2400	46	144	77	74	34

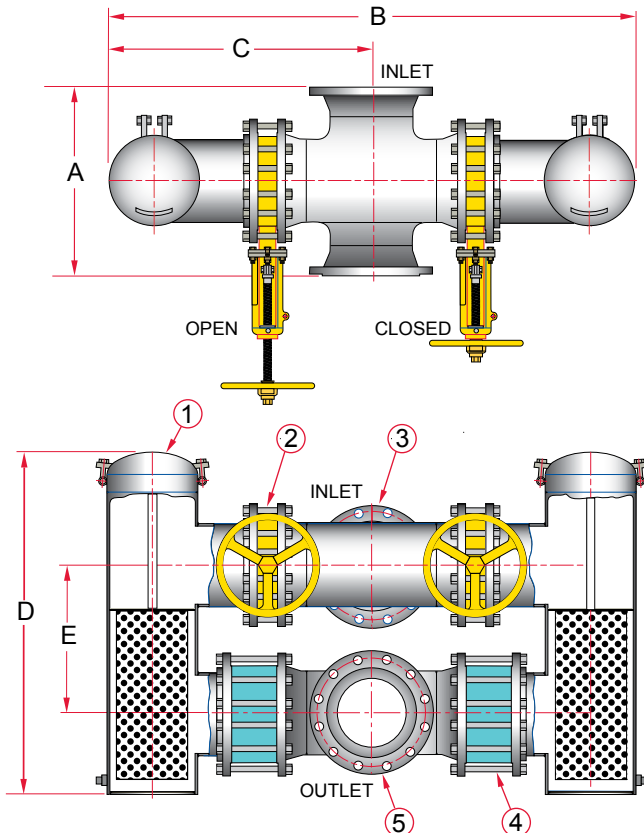
Larger sizes are available.

Construction	
Item	Description
1	Strainer Assemblies
2	Butterfly Valves
3	Inlet Manifold
4	Outlet Manifold
5	Check Valves

Notes:

Manufacturer reserves the right to modify dimensions, materials, or design. Consult factory for certification.

DBH150 - Knife Gate Operated Dual Basket Assembly



Size		Dimensions (Inches)				
Inches	Prefix	A	B	C	D	E
2	0200	10	33 1/2	16 3/4	23 5/8	10
2 1/2	0250	11 1/2	35	17 1/2	24 5/8	10
3	0300	12 1/4	37 1/8	18 9/16	24 7/8	10
4	0400	14 1/4	39 1/2	19 3/4	27 5/8	11
5	0500	16 3/4	47	23 1/2	30	12
6	0600	18 1/4	50 3/8	25 3/16	32	13
8	0800	22	61	30 1/2	37 3/8	15
10	1000	25	70	35	43 5/8	18
12	1200	29	79 1/4	39 5/8	50	21
14	1400	32	87	43 1/2	54 5/8	23
16	1600	34	94	47	60 5/8	25
18	1800	38	102	51	65	27
20	2000	41 3/8	117 3/4	58 7/8	71	29
24	2400	46	134 1/2	67 1/4	80 5/8	34

Larger sizes are available.

Construction	
Item	Description
1	Quick Open Strainer Assembly
2	Knife Gate Valves
3	Inlet Manifold
4	Check Valves
5	Outlet Manifold

Notes:

Manufacturer reserves the right to modify dimensions, materials, or design. Consult factory for certification.