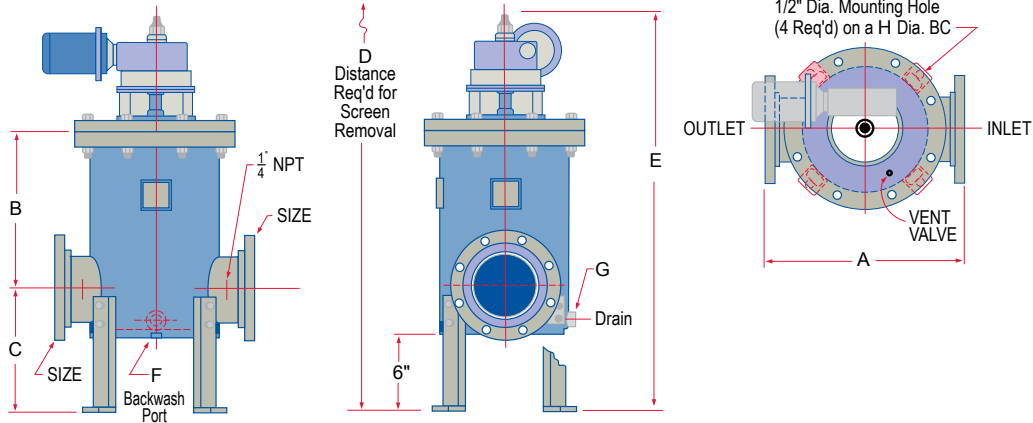


Specifications / Dimensions / Weights

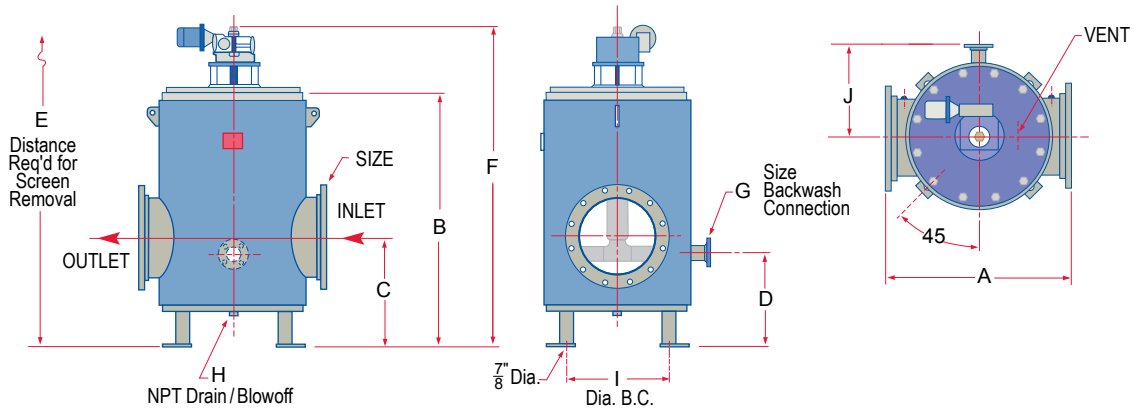
Model SFA20 & SFA31 1" - 10" Carbon Steel



Model No.	Size (in)	A (in)	B (in)	C (in)	D (in)	E (in)	F (in)	G (in)	H (in)	Approx. Wts. (Lbs.)			Motor H.P.
										Dry	Wet	Cov.	
0100-SFA20	1-150	16 1/2	14 1/4	10	59	36 1/2	1 NPT	1 NPT	11 7/8	295	440	130	1/4
0150-SFA20	1 1/2-150	16 1/2	14 1/4	10	59	36 1/2	1 NPT	1 NPT	11 7/8	300	445	130	1/4
0200-SFA20	2-150	16 1/2	14 1/4	10	59	36 1/2	1 NPT	1 NPT	11 7/8	305	450	130	1/4
0250-SFA20	2 1/2-150	16 1/2	14 1/4	10	59	36 1/2	1 NPT	1 NPT	11 7/8	310	455	130	1/4
0300-SFA20	3-150	16 1/2	14 1/4	10	59	36 1/2	1 NPT	1 NPT	11 7/8	315	460	130	1/4
0400-SFA20	4-150	16 1/2	14 1/4	10	59	36 1/2	1 NPT	1 NPT	11 7/8	325	470	130	1/4
0600-SFA20/31	6-150	20	15 5/8	11	65	38	1 1/2 NPT	1 NPT	16	560	750	170	1/4
0800-SFA20/31	8-150	28	18	16	74	46 1/2	1 1/2 NPT	1 NPT	21 1/4	825	1065	180	1/4
1000-SFA20/31	10-150	28	18	16	74	46 1/2	1 1/2 NPT	1 NPT	21 1/4	840	1080	180	1/4

Threaded (NPT) Inlet/Outlet connections available.

Model SFA30 & SFA31 10" - 20" Carbon Steel



Model No.	Size (in)	A (in)	B (in)	C (in)	D (in)	E (in)	F (in)	G (in)	H (in)	I (in)	J (in)	Approx. Wts. (Lbs.)			Motor H.P.
												Dry	Wet	Cov.	
1000-SFA30/31	10-150	36	43	17 1/2	14 1/2	75	55 1/2	2 NPT	1 1/2 NPT	26	14 3/4	1595	2245	285	1/4
1200-SFA30/31	12-150	36	43	17 1/2	14 1/2	75	55 1/2	2 NPT	1 1/2 NPT	26	14 3/4	1650	2305	285	1/4
1400-SFA30/31	14-150	44	51 1/2	19 1/2	15 1/2	94	69	3-150	1 1/2 NPT	32	21 3/4	2525	3800	510	1/4
1600-SFA30/31	16-150	44	51 1/2	19 1/2	15 1/2	94	69	3-150	1 1/2 NPT	32	21 3/4	2620	3895	510	1/4
1800-SFA30/31	18-150	48	66	24	20 7/8	113	87	3-150	2 NPT	38	25 1/4	3225	5470	700	1/4
2000-SFA30/31	20-150	48	66	24	20 7/8	113	87	3-150	2 NPT	38	25 1/4	3295	5545	700	1/4

Dimensions subject to change without notice. Contact factory for certified drawings.