

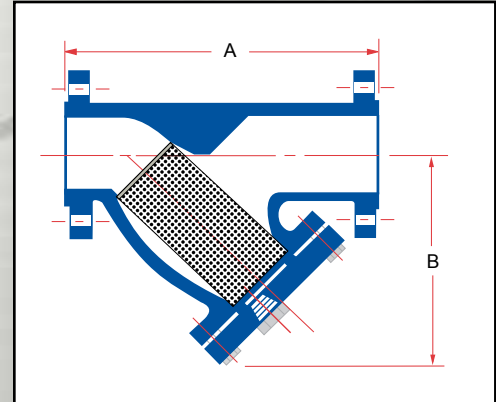
Cast Y Strainers

YF900 / YF900SS - Cast Steel / Cast 316 Stainless Steel
YF900LCC - Cast Low Temperature Carbon Steel

Class 900 Flanged or RTJ End Connections



Sure Flow Class 900 ASME Flanged Cast Y Strainers are available in both Carbon Steel and Stainless Steel. They provide economical protection for Water, Oil or Gas service. A machined, tapered seat ensures a perfect fit for the removable, stainless steel screen. These strainers may



be installed in vertical or horizontal pipelines with the blow-off connection at the lower end of the screen.

Notes:

- Must specify if for steam service
- Units are standard with no drain.
- YF1500 is substituted for 2" size

Manufacturer reserves the right to modify dimensions, materials, or design. Consult factory for certification.

Construction

Carbon Steel - Body, Cover - ASTM A216 Grade WCB

Stainless Steel - Body, Cover - ASTM A351 Grade CF8M

Low Temperature Carbon Steel - Body, Cover - ASTM A352 Grade LCC

All screens are Stainless Steel

Dimensions (Inches)

Size		A	B	Blow-Off NPT	Shipping Weight (LBS)
Inches	Prefix				
2	0200	15 1/4	11 11/16	optional	152
3	0300	20 1/4	14 1/2	optional	196
4	0400	23 1/4	18 1/8	optional	360

For YF900 6-inch size and YF900 8-inch size:
 FWT900 6-inch size and FWT900 8-inch size Fabricated Y Strainers are used.

Ordering Information

Example: Include full description

Size	Model	Screen
(Prefix)	Number	Opening
0400	YF900SS	125

4" Flanged, Y Strainer, Cast Stainless Steel, Class 900
 ASME Flanges, 1/8" Perf Screen

Operating Pressures and Temperatures

Type	Size	psi @ Temp Steam*	psi @ Temp WOG
YF900	2"	1500 @ 596 °F	3705 @ 100 °F
	3" - 4"	900 @ 532 °F	2220 @ 100 °F
YF900SS	2"	1500 @ 596 °F	3600 @ 100 °F
	3" - 4"	900 @ 532 °F	2160 @ 100 °F
YF900LCC	2"	1500 @ 596 °F	3750 @ 100 °F
	3" - 4"	900 @ 532 °F	2250 @ 100 °F

Standard Screens

Size	Standard	Opening
2" - 3"	3/64" perf	0.045"
4"	1/8" perf	0.125"



Sure flow
Equipment Inc.

Toll Free: 1-800-263-8251 Toll Free Fax: 1-800-876-1164
 International: 1-905-335-1350 International Fax: 1-905-332-4993
 Email: info@sureflowequipment.com www.sureflowequipment.com

