

Ordering Information

Model **KG150SS**

Example: **0600 / KG150SS / VIR**

6" Stainless Steel Knife Gate Valve, Class 150 with Viton® Seat

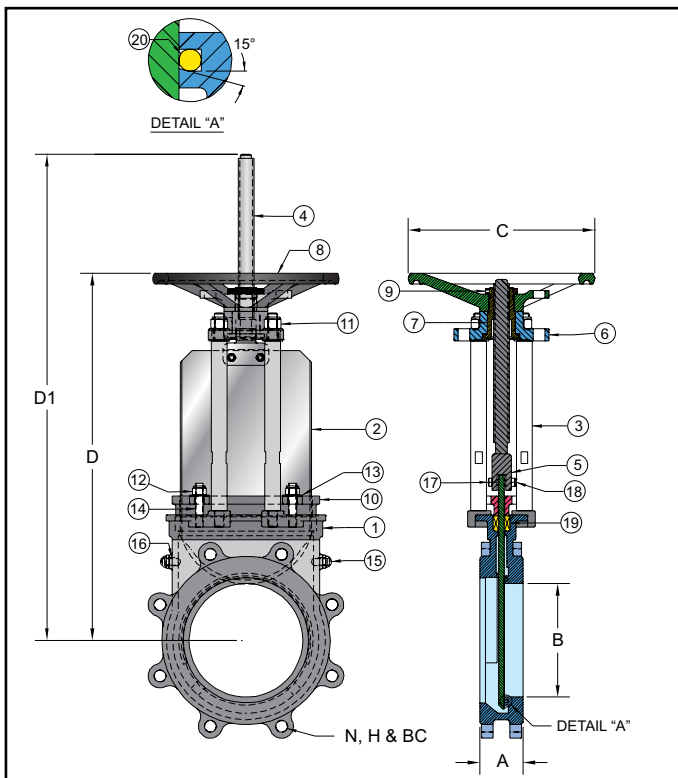
Size	0200 - 2" 1400 - 14"	0300 - 3" 1600 - 16"	0400 - 4" 1800 - 18"	0600 - 6" 2000 - 20"	0800 - 8" 2400 - 24"	1000 - 10" 3000 - 30"	1200 - 12"
Seat Material	SSMIR - 316SS SSE - EPDM			SSVIR - Viton® SSS - Silicone			
Actuation	G - Gear			P - Pneumatic		E - Electric	
Accessories	Solenoid, Limit Switch, Chainwheel, Lock-Out Device, Extension Stem, Deflector Cone						

Note: For Scavenger Knife Gate Valve, consult factory with your specifications.

Resilient & Metal Seated

Dimensions (Inches)

Size	2	3	4	5	6	8	10	12	14	16	18	20	24	30	36
A	1 7/8	2	2	2 1/4	2 1/4	2 3/4	2 3/4	3	3	3 1/2	3 1/2	4 1/2	4 1/2	4 1/2	5
B	2	3	3 3/4	4 7/8	5 3/4	7 5/8	9 1/2	11 1/8	13 3/16	15 9/16	17 7/16	19 3/8	23	28 5/16	33 1/2
N (Holes)	4	4	8	8	8	8	12	12	12	16	16	20	20	28	32
H (Tap)	5/8-11	5/8-11	5/8-11	3/4-10	3/4-10	3/4-10	7/8-9	7/8-9	1-8	1-8	1 1/8-7	1 1/8-7	1 1/4-7	1 1/4-7	1 1/2-7
BC	4 3/4	6	7 1/2	8 1/2	9 1/2	11 3/4	14 1/4	17	18 3/4	21 1/4	22 3/4	25	29 1/2	36	42 3/4
C	8	8	8	9	12	12	16	16	18	18	20	24	24	26 3/4	31 1/2
D	11 5/8	13 1/2	15	17	18 1/4	23	28	31 7/8	36 7/8	44 1/2	48 1/4	53 7/8	61	72 1/2	90
D1	13 3/4	17 1/8	20 5/16	22 3/8	25 3/4	32 3/4	40 1/16	46 1/8	52 5/16	60 1/4	67 5/16	75 1/4	85 1/2	106	129



No.	PART NAME	SPECIFICATIONS
1	BODY	SA351 CG8M 317 STAINLESS STEEL
2	GATE	316L STAINLESS STEEL
3	STANCHION	303 STAINLESS STEEL
4	STEM	303 STAINLESS STEEL
5	COUPLING	SA351 CG8M 317 STAINLESS STEEL
6	BRIDGE	ALUMINUM 356
7	YOKE SLEEVE	660 BRONZE
8	HANDWHEEL	ALUMINUM
9	HANDWHEEL NUT	C46400 NAVAL BRASS
10	GLAND	SA351 CG8M 317 STAINLESS STEEL
11	BRIDGE NYLOCK NUT	18.8 STAINLESS STEEL
12	GLAND NYLOCK NUT	18.8 STAINLESS STEEL
13	GLAND WASHER	18.8 STAINLESS STEEL
14	GLAND STUD	18.8 STAINLESS STEEL
15	ACORN NUT	BRASS
16	ALIGNMENT STUD	18.8 STAINLESS STEEL
17	COUPLING BOLT	18.8 STAINLESS STEEL
18	COUPLING NYLOCK NUT	18.8 STAINLESS STEEL
19	PACKING	TEFLON®
20	O-RING	VITON®



Sure Flow
Equipment Inc.

Toll Free: 1-800-263-8251 Toll Free Fax: 1-800-876-1164
International: 1-905-335-1350 International Fax: 1-905-332-4993
Email: info@sureflowequipment.com www.sureflowequipment.com

