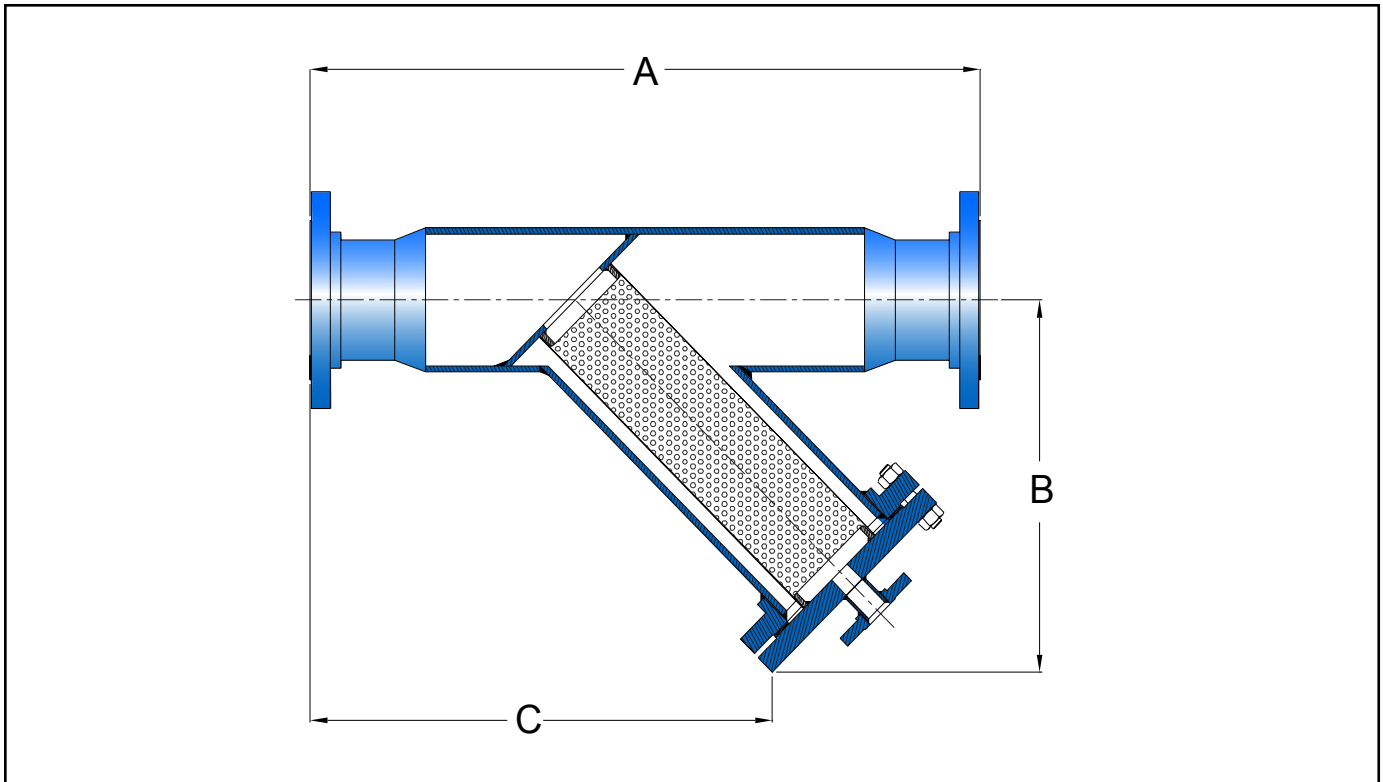


FRP Y Strainers - Dimensions & Performance



Notes:

- Larger sizes available

Manufacturer reserves the right to modify dimensions, materials, or design. Consult factory for certification.

FRP Strainer Dimensions (Inch) For Inline Configuration				Performance Criteria		
Flange Size	A	B	C	Basket Surface Area (in ²)	Ratio Basket Surface : Pipe	Flow Rate = 1 psid (Clean Basket)
2"	23	12	15 5/8	72.2	23	140 GPM
3"	24	12 1/4	15 1/4	72.2	102	140 GPM
4"	32	16 1/4	21 3/8	207.2	16.5	400 GPM
6"	39	20 7/8	28 1/4	384.3	13.6	790 GPM
8"	48	24 1/4	31 3/4	594.6	11.8	1150 GPM
10"	50	27 5/8	34 7/8	826.6	10.5	1600 GPM
12"	56	32 7/8	41 7/8	1130.4	10	2230 GPM
14"	60	39 1/2	47	1519.8	9.9	3000 GPM



Sure flow
Equipment Inc.

Toll Free: 1-800-263-8251 Toll Free Fax: 1-800-876-1164
International: 1-905-335-1350 International Fax: 1-905-332-4993
Email: info@sureflowequipment.com www.sureflowequipment.com

