

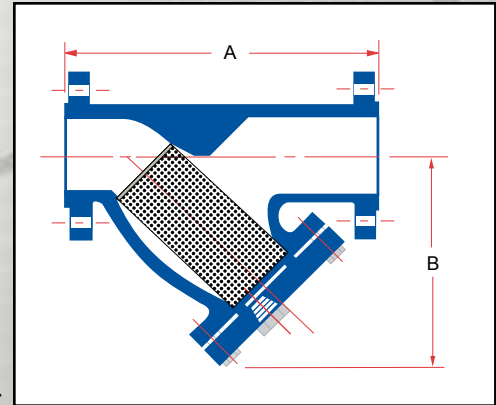
Cast Y Strainers

YF300 / YF300SS - Cast Steel / Cast 316 Stainless Steel

Class 300 Flanged End Connections



Sure Flow Class 300 ASME Flanged strainers are available in Carbon Steel and Stainless Steel. A machined, tapered seat ensures a perfect fit for the removable, stainless steel screen. All sizes come complete with flanged blow-off cover, gasket & plug. May be installed in vertical or horizontal pipelines with blow-off connection at the lower end of the screen.



Notes:

- Must specify if for steam service
- Manufacturer reserves the right to modify dimensions, materials, or design. Consult factory for certification.

Construction

Carbon Steel - Body, Cover - ASTM A216 Grade WCB
Stainless Steel - Body, Cover - ASTM A351 Grade CF8M
 All screens are Stainless Steel

Size		Dimensions (Inches)			
Inches	Prefix	A	B	Blow-Off NPT	Shipping Weight (LBS)
1	0100	7 7/8	4 1/8	1/4	23
1	0100H	7 7/8	4 1/8	1/4	24
1 1/2	0150	7 9/16	4 3/8	1/2	27
2	0200	9 3/4	6 1/8	1/2	47
2	0200H	9 3/4	6 1/2	1/2	50
2 1/2	0250	10 11/16	7 7/16	1	64
3	0300	12 9/16	9	1 1/4	87
3	0300H	13 1/2	9 1/16	1 1/4	94
4	0400	14 5/8	11	1 1/2	165
4	0400H	16 5/8	11 3/16	1 1/2	170
5	0500	18 1/2	15 3/8	2	186
6	0600	19 3/4	15 1/2	2	260
8	0800	25	16 1/4	2	385
10	1000	29 1/8	19 1/4	2	610
12	1200	33 3/4	24	2	1300

Ordering Information

Example: Include full description

Size Model Screen
 (Prefix) Number Opening
0400 YF300SS 125

4" Flanged, Y Strainer, Cast Stainless Steel, Class 300
 ASME Flanges, 1/8" Perf Screen

Operating Pressures and Temperatures

Type	Size	psi @ Temp Steam*	psi @ Temp WOG
YF300	1" - 12"	300 @ 417 °F	740 @ 100 °F
YF300SS	1" - 12"	300 @ 417 °F	720 @ 100 °F

Standard Screens

Size	Standard	Opening
1" - 3"	3/64" perf	0.045"
4" - 12"	1/8" perf	0.125"



Sure flow
 Equipment Inc.

Toll Free: 1-800-263-8251 Toll Free Fax: 1-800-876-1164
 International: 1-905-335-1350 International Fax: 1-905-332-4993
 Email: info@sureflowequipment.com www.sureflowequipment.com